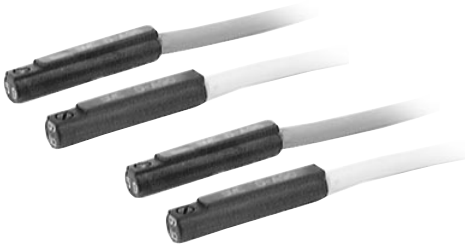


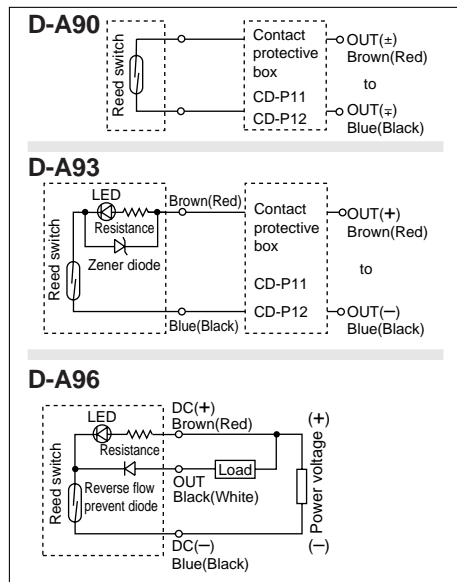
# Reed Switch/Direct Mounting

## D-A90/D-A93/D-A96

### Grommet Electrical entry: In-line



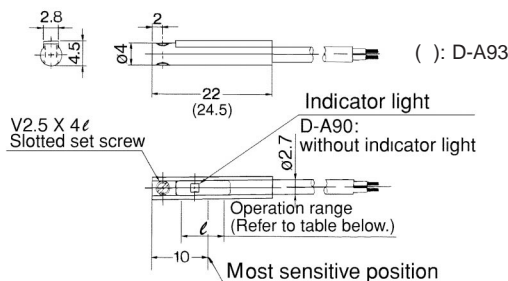
### Internal Circuit ( ): If not applicable for IEC Standard



Note) ① In the case operation load is an inductive load.  
② In the case the wiring length to load is ">" 5m.  
③ In the case the load voltage is 100V AC.

Be sure to use the auto switch with the contact protection box in any case mentioned above. Refer to p.5.3-6 for the details of contact protection box.

### Dimensions



### Operation Range ( ℓ Dimension)

Actuator series	Bore size (mm)												
	6	8	10	12	16	20	25	32	40	50	63	80	100
CDU	5	—	6	—	9	11	12.5	14	—	—	—	—	—
CDQS	—	—	—	6	7.5	10	10	—	—	—	—	—	—
CDQ2	—	—	—	—	—	—	—	9.5	9.5	9.5	11.5	9	11.5
MY1	—	—	—	—	5	5	—	—	—	—	—	—	—
MXU	5	—	6	—	9	—	—	—	—	—	—	—	—
MXW	—	6	—	6	8.5	10	10	—	—	—	—	—	—
MXF	—	4.5	—	5	6	7	—	—	—	—	—	—	—
MXS	4.5	5	—	6	7	8	8	—	—	—	—	—	—

5.3-19

### Applicable Actuator Series

Series	Bore size (mm)	Series	Bore size (mm)
CDU	ø6, ø10, ø16, ø20, ø25, ø32	MXP	ø10, ø12, ø16
CDQS	ø12, ø16, ø20, ø25	MTS	ø20, ø25, ø32, ø40
CDQ2*	ø32, ø40, ø50, ø63, ø80, ø100	CXT	ø12, ø16, ø20, ø25, ø32, ø40
MY1	ø16, ø20	MK	ø12, ø16
MXU	ø6, ø10, ø16	MK2	ø32, ø40, ø50, ø63
MXW	ø8, ø12, ø16, ø20, ø25	RSQ	ø12, ø32, ø40, ø50
MXF	ø8, ø12, ø16, ø20	CEP	ø12, ø20
MXS/MXQ	ø6, ø8, ø12, ø16, ø20, ø25	CY1R	ø6, ø10, ø15, ø20

\*Not applicable for CDQP2

### Specifications

PLC: Programmable Logic Controller

#### D-A90 (Without indicator light)

Auto switch model number	D-A90		
Application	IC circuit/Relay/PLC		
Load voltage	24V AC DC or less	48V AC DC or less	100V AC DC or less
Max. load current	50mA	40mA	20mA
Contact protection circuit	None		
Internal resistance	1Ω or less (Including 3m lead wire)		

#### D-A93/D-A96 (With indicator light)

Auto switch model number	D-A93	D-A96
Application	Relay/PLC	IC circuit
Load voltage	24V DC	100V AC
Max. load current and load current range	5 to 40mA	5 to 20mA
Contact protection circuit	None	
Internal voltage drop	≤ 2.4V (up to 20mA)/≤ 3V (up to 40mA)	≤ 0.8V
Indicator light	ON: When red light emitting diode	

#### Lead wire

D-A90/D-A93 — Oilproof vinyl heavy insulation cable, ø2.7, 0.18mm<sup>2</sup> X 2cores (Brown, Blue), 0.5m

D-A96 — Oilproof vinyl heavy insulation cable, ø2.7, 0.15mm<sup>2</sup> X 3cores (Brown, Black, Blue), 0.5m

Note 1) Refer to common specifications on p.5.3-5.

Note 2) Refer to p.5.3-5 for lead wire length.

### Caution

### Precautions

- Fix the switch with appropriate screw installed on the switch body. If using other screws, switch may be damaged.

### Operation Range ( ℓ Dimension)

Actuator series	Bore size (mm)											
	6	8	10	12	15	16	20	25	32	40	50	63
MXQ	4.5	5	—	6	—	7	8	9	—	—	—	—
MXP	—	—	5	5	—	5	—	—	—	—	—	—
MTS	—	—	—	—	—	—	7.5	8	7	8	—	—
CXT	—	—	—	6	—	7.5	10	10	9.5	9.5	—	—
MK	—	—	—	6	—	7.5	—	—	—	—	—	—
MK2	—	—	—	—	—	—	—	—	9.5	9.5	9.5	11.5
RSQ	—	—	—	—	—	—	—	—	9.5	9.5	9.5	—
CEP	—	—	—	5	—	—	6.5	—	—	—	—	—
CY1R	9	—	13	—	8	—	6	—	—	—	—	—

Note) Average value at normal temperature including hysteresis. (Tolerance ±30%)

(Note- L suffix denotes 3 meter Lead Wire)